

Aircondens®

Pump for conveying condensate from ventilation and air conditioning units

The condensate pump Aircondens® comes from the product family of Powercondens AG, the leading Swiss specialist for condensate for heating, ventilation and air conditioning. Aircondens® is used to convey condensate from ventilation and air conditioning units to the desired location.

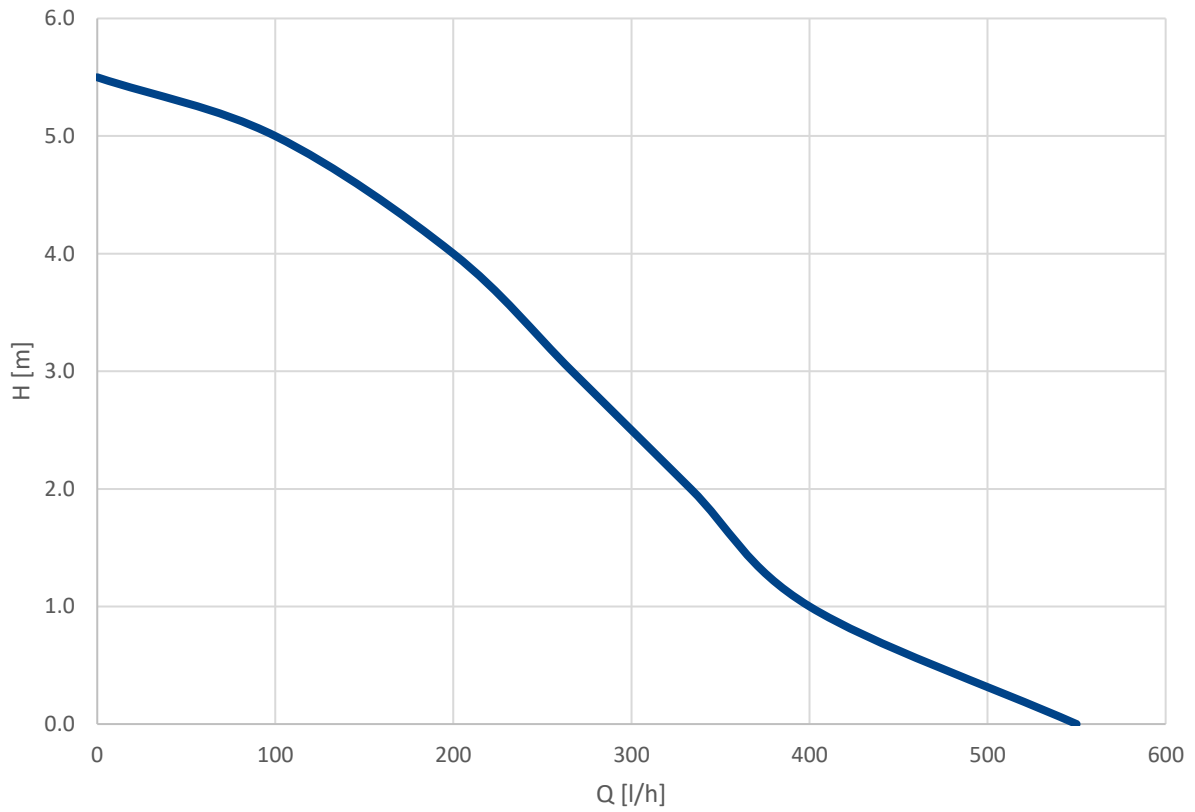


Function	Bonus	Operational area
Delivery rate until 550 l/h	Plug T12 assembled	Ventilation appliance
Delivery head until 5.5 m	Very low entrance height (73 mm)	Air conditioner

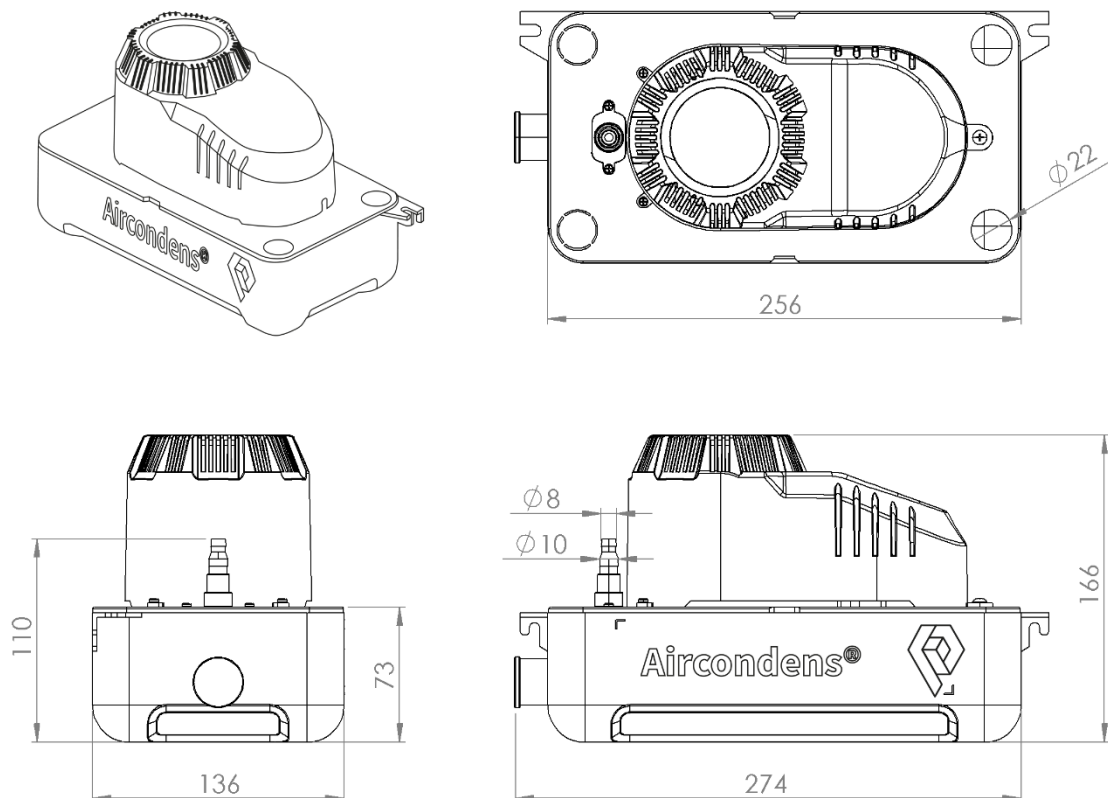
TECHNICAL DATA

Aircondens®		Technical specifications	
Electronics	Connected voltage [V]	~ 230	
	Frequency [Hz]	50-60	
	Connected load [W]	60	
	Nominal current [A]	1.2	
	Alarm contact	Break contact 4.0 A, potential-free	
	Insulation class	B	
	Protection class	IP 20	
	Connecting cable	Mains cable: 2 m, Plug T12 Alarm signal: 2 m, end splice COM / NC	
Environment	Condensate temperature [°C]	5 – 50	
	Environmental temperature [°C]	5 – 40	
Operation	Delivery head maximum [m]	5.5	
	Delivery rate maximum [l/h]	550	
	Duty type	S3 30% - Intermittent operation: 3s EIN – 7s AUS	
	Sound pressure level at 1m [dBA]	48	
Dimensions	Tank volume [l]	1.8	
	Shipping weight [kg]	2.5	
	Operating weight [kg]	3.3	
Scope of delivery	Condensate pump Aircondens®, mains cable ready-to-use (Plug T12 assembled), Alarm signal ready-to-use (end splice), Assembly Set for wall holder.		

FLOW RATE

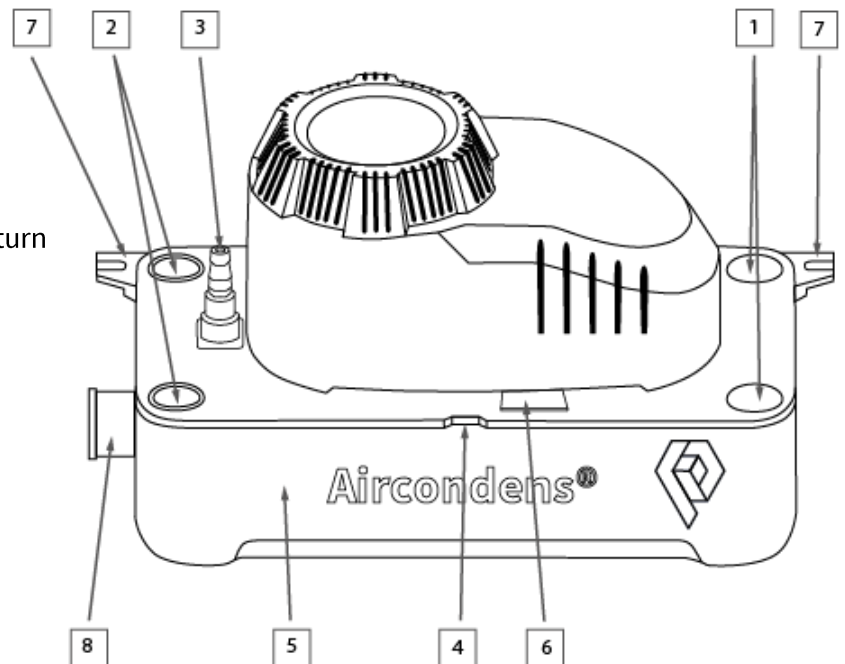


DIMENSIONS



STRUCTURE

- 1) Condensate inlet
- 2) Connection for additional condensate inlet
- 3) Condensate discharge with non-return valve
- 4) Opening the condensate collection reservoir
- 5) Condensate collection reservoir
- 6) Transport security
- 7) Wall mounting
- 8) Maintenance drain



ACCESSORIES

- Discharge hose PVC (5 m): Art. Nr. 1001382
- Discharge hose PVC (10 m): Art. Nr. 1001383
- Discharge hose PVC (25 m): Art. Nr. 1001384
- Discharge hose PVC (50 m): Art. Nr. 1001385

SPARE PART

- Non-return valve (1 piece): Art. Nr. 1001926