

Installation instructions Aircondens®

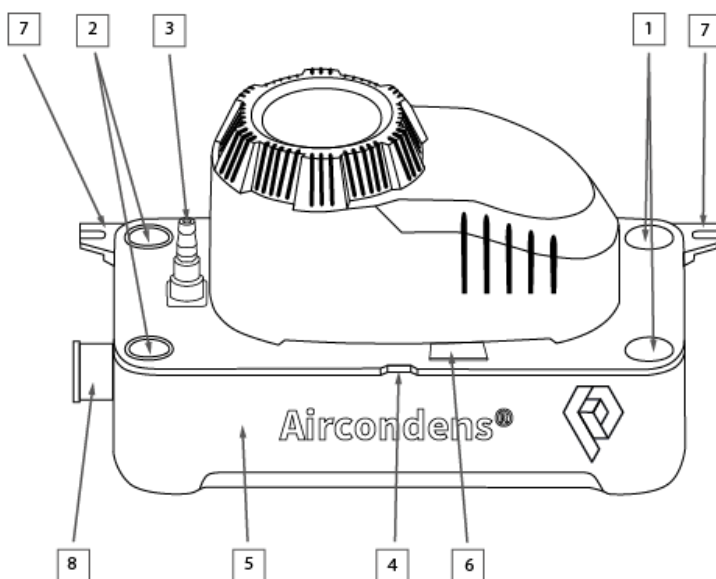
1. Notes

- When working on electrical units, there is a risk of death due to electric shock. Improper installation or improper electrical connection can pose a risk of death.
- All installations must only be carried out by qualified personnel.
- Further information about the product can be found on our homepage: www.powercondens.ch.

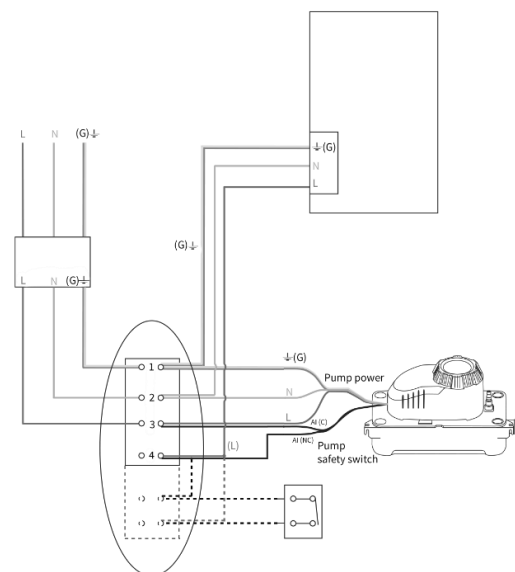
2. Installation

1. Position Aircondens® in a suitable location as per the spatial requirements.
2. Open the required condensate supply (Pos. 1-2).
3. Insert the condensate supply hose into the condensate supply (Pos. 1-2).
4. Attach the hose to the condensate drain with check valve (Pos. 3).
5. Remove the transport security (Pos. 6).
6. Connect power and alarm cables according to electrical schematics (chapter 3).
7. Fill water into Aircondens® and check whether this triggers the pumping process when the switch-on level is reached.
8. Making Aircondens® powerless, fill water under the water level reaches the alarm level and the alarm switch is triggered.
9. Connect Aircondens® back to power and check whether the pumping process is triggered.
10. Reset errors, Aircondens® is ready for operation.

3. Product



- 1 Condensate inlet
- 2 Connection for additional condensat inlet
- 3 Condensate discharge with non-return valve
- 4 Opening the condensate collection reservoir



- 5 Condensate collection reservoir
- 6 Transport security
- 7 Wall mounting
- 8 Maintenance drain