

INSTALLATION INSTRUCTIONS

Climacondens® flat

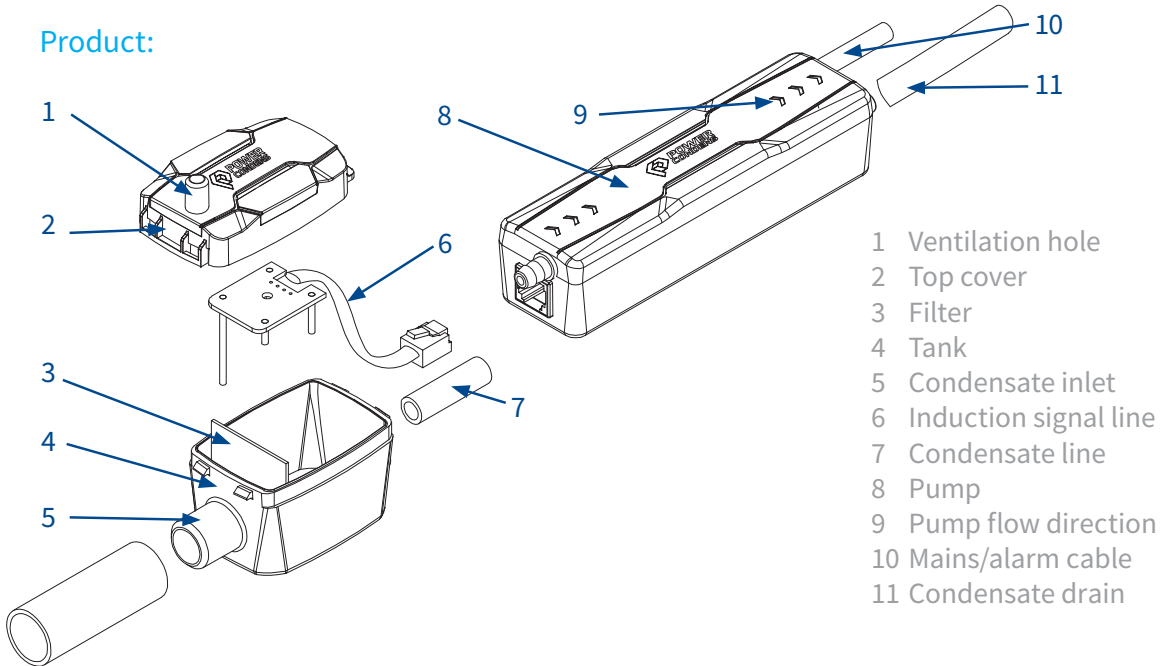


EN Notice:



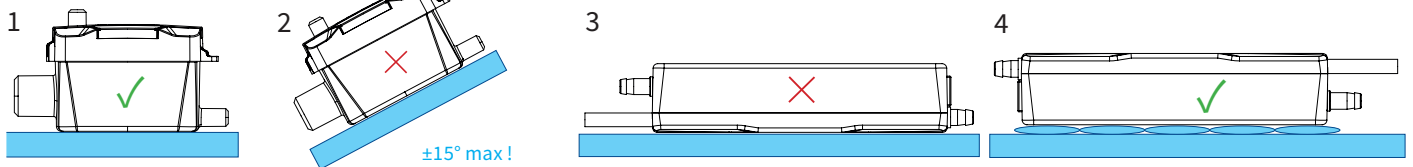
- There is a danger to life from electric shock when working on electrical equipment. Improper installation and improper electrical connection can be life-threatening.
- All installations may only be carried out by the appropriate specialist.
- Further information on the product can be found on our website: www.powercondens.com

Product:



- 1 Ventilation hole
- 2 Top cover
- 3 Filter
- 4 Tank
- 5 Condensate inlet
- 6 Induction signal line
- 7 Condensate line
- 8 Pump
- 9 Pump flow direction
- 10 Mains/alarm cable
- 11 Condensate drain

Assembly:



- Place the condensate pump (8) in or next to the air conditioner.
- The tank (4) should be positioned horizontally.
- Do not place the pump and tank (4, 8) upside down.
- Install some shock-absorbing material under the pump to avoid unnecessary vibrations and noise. Avoid exposing the power supply cables (6, 10) to wetness for a long time.
- Connect the pump tightly to the air conditioner, paying attention to the pump's flow direction (9). Connect the power and alarm cables (6, 10) according to the electrical diagram.
- Carry out a function test according to the operating instructions. The Climacondens®flat is then ready for use.

Electrical diagram:

- Climacondens® flat
- Air conditioner inside
- Connecting cable
- Air conditioner outside
- Liquid level switch

