

INSTALLATION INSTRUCTIONS

Climacondens® high

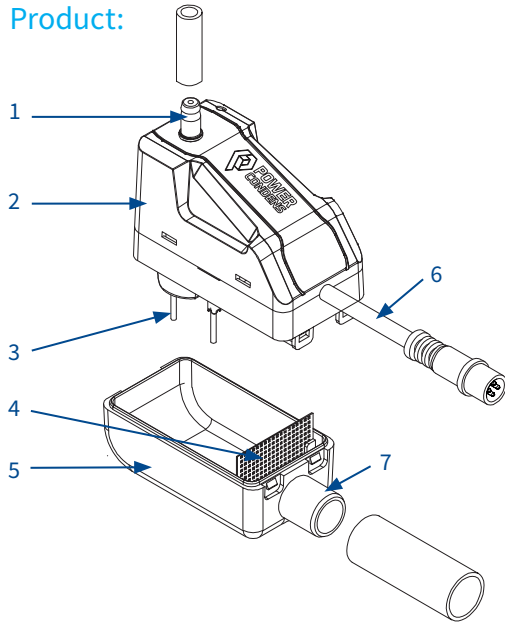


EN Notice:



- There is a danger to life from electric shock when working on electrical equipment. Improper installation and improper electrical connection can be life-threatening.
- All installations may only be carried out by the appropriate specialist.
- Further information on the product can be found on our website: www.powercondens.com

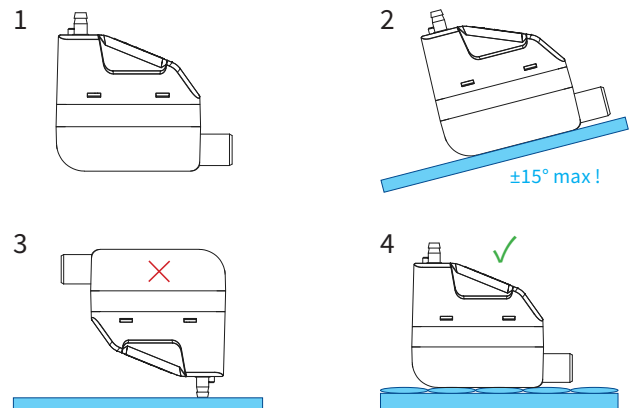
Product:



- 1 Condensate drain
- 2 Top cover with pump
- 3 Condensate level sensors
- 4 Filter
- 5 Condensate tank
- 6 Mains / alarm cable
- 7 Condensate inlet

Assembly:

- 1 Place the Climacondens® high next to the air conditioner in the duct and fasten it with the enclosed Velcro tape.
- 2 Position the pump and the tank horizontally.
- 3 Do not place the pump upside down.
- 4 Use the silicone cover provided to avoid unnecessary noise and vibrations. This is also used for fixing to the wall. To do this, mount the metal bracket on the wall, then fix the pump in the wall bracket with the silicone bracket. Connect the power cable (6) according to the electrical diagram.



Avoid exposing the power supply cable (6) to moisture for a long time.

- 5 Carry out a function test according to the operating instructions. The Climacondens® high is then ready for use.

Electrical diagram:

- 1 Climacondens® high
- 2 Air conditioner inside
- 3 Connecting cable
- 4 Air conditioner outside
- 5 Liquid level switch

