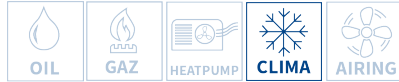


TECH SHEET

Climacondens® flat



Condensate disappears quietly from office and living space

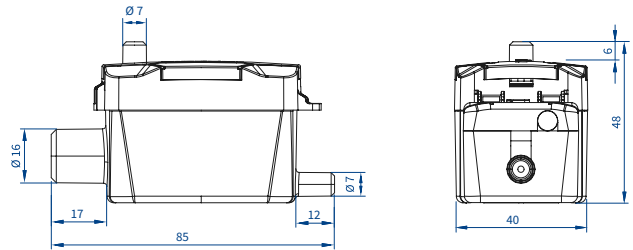
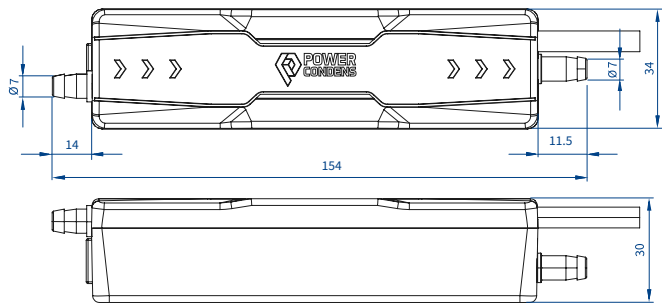
The very flat design of the Climacondens® flat and the maximum delivery height of 7 m with a delivery rate of up to 5 l/h make the Climacondens® flat a versatile all-rounder.



Very quiet running noise: 19 dB(A) at 1m distance

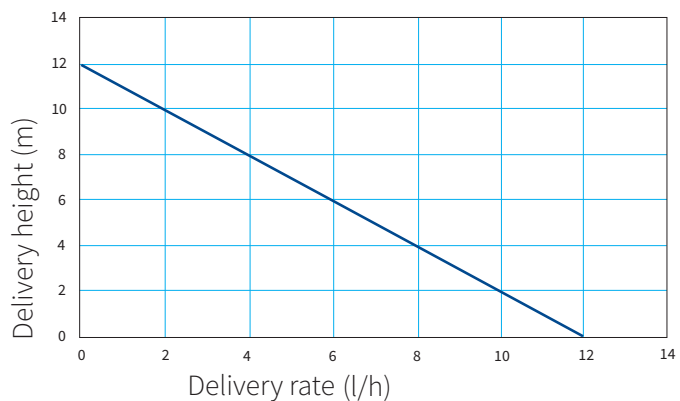


Low maintenance and durable thanks to innovative condensate sensors



Technical data

Article number Climacondens®flat	1001839.B
Max. recommended delivery head	7 m
max. delivery capacity at a delivery head of 7 m	5 l/h
max. intake height	1.5 m
Noise level at 1 m	19 dB(A)
Power supply	230 V / 50 Hz
max. connected load	12 W
max. condensate temperature	50° C
Alarm contact	NC, 3,0 A
IP protection	IP 21
Tank volume	35 ml
Net weight	0.11 kg (Pump) 0.09 kg (Tank)



Scope of delivery

Climacondens®flat pump with tank incl. filter screen
Hard-wired mains/alarm cable 1.5 m
Silicone cover as vibration damper (1 pc.)
Fastening set with Velcro fastener large for pump (1 pc.)
Fastening set with Velcro fastener small for tank (1 pc.)
Inlet adapter (1 pc.)
Ventilation hose (35 mm)
Condensate inlet connection: Condensate inlet pipe (100 mm), 90° bend (1 pc.), cable tie (4 pcs.)
Condensate drain connection: Condensate drain PVC hose (150 mm), transition piece (2 pcs.), Cable tie (2 pcs.)

Recommended accessories

Hose condensate inlet ø 16mm (5 m)	1001976.A
Hose condensate drain ø 6mm (10 m)	1001974.A
Hose condensate drain ø 6mm (20 m)	1001975.A
Hose clamp Condensate inlet	1000056.A
Condensate drain hose clamp	1000055.A